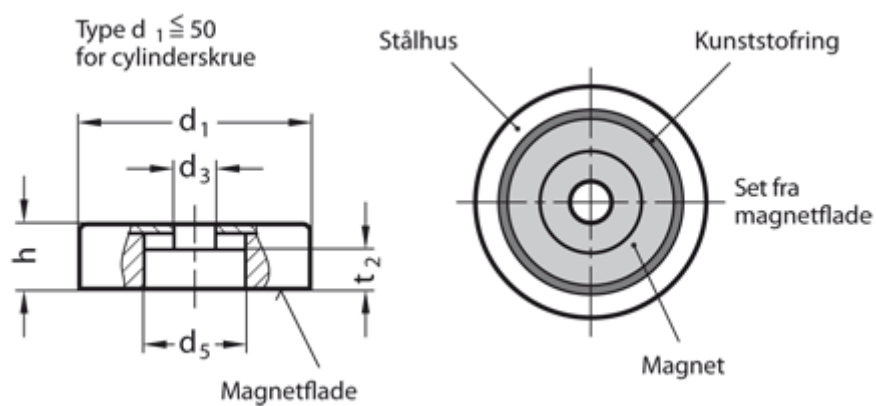


Article number: 201227040

Description: E+G Magnet - with bore GN 50.45-HF-40-8-5,5
HF hard ferrite - 200°.C, 145N

Measures



$d_1 = 50 +0,2/-0,1$

$d_3 = 8.5$

$d_5 = 22.0$

$h = 10 +0,5/-0,2$

Holding force N = 145

Material = HF hard ferrite - 220°.C

$t_2 = 8.5$